

TOILET SEAT CLUB 90




*Thermoset toilet seat
Stainless steel hinges*

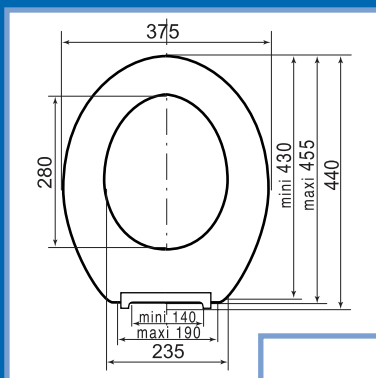


WIRQUIN

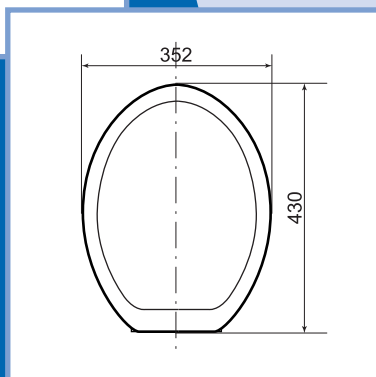
wirquin.com

PRODUCT ADVANTAGES

- + Guarantee 
- + Adaptable on all standard pans on the market
- + Rigid, resistant
- + Stainless steel hinges
- + Smooth surface : easy cleaning
- + Comfortable, ergonomical



Dimensions



TECHNICAL CHARACTERISTICS

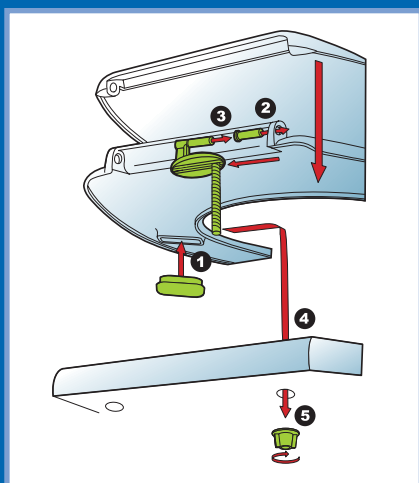
Materials :

- Toilet seat in thermoset resin
- Stainless steel hinges and screws
- Fixation screws : diameter = 5mm, length = 80mm
- Bumpers : 2 elastomer bumpers on the lid, 4 elastomer bumpers on the seat

Fixation range :

- Adjustment of hinges : sideways = mini 140mm, maxi 190mm
- Depth = mini 430mm, maxi 455 mm

Weight : 1.440 kg



INSTALLATION INSTRUCTIONS AND ADVICE FOR MAINTENANCE

Installation Instructions :

- Assembly is very quick
- Position each of the 4 bumpers on the seat
- Position the hinges on the seat and the lid (2) and (3).
- Insert the screw into the pan (4) and tighten the nut (5).

Advice for Maintenance

- The toilet seat can be cleaned by diluting bleach in water
- After rinsing it with plain water, dry it with a smooth cloth.

Description	Colour	Packaging	Boxed Qty	Reference	Bar code
CLUB 90 - TOILET SEAT Synthetic resin	White	Individual box	Box of 6 pcs	21090001	3375539061356

